



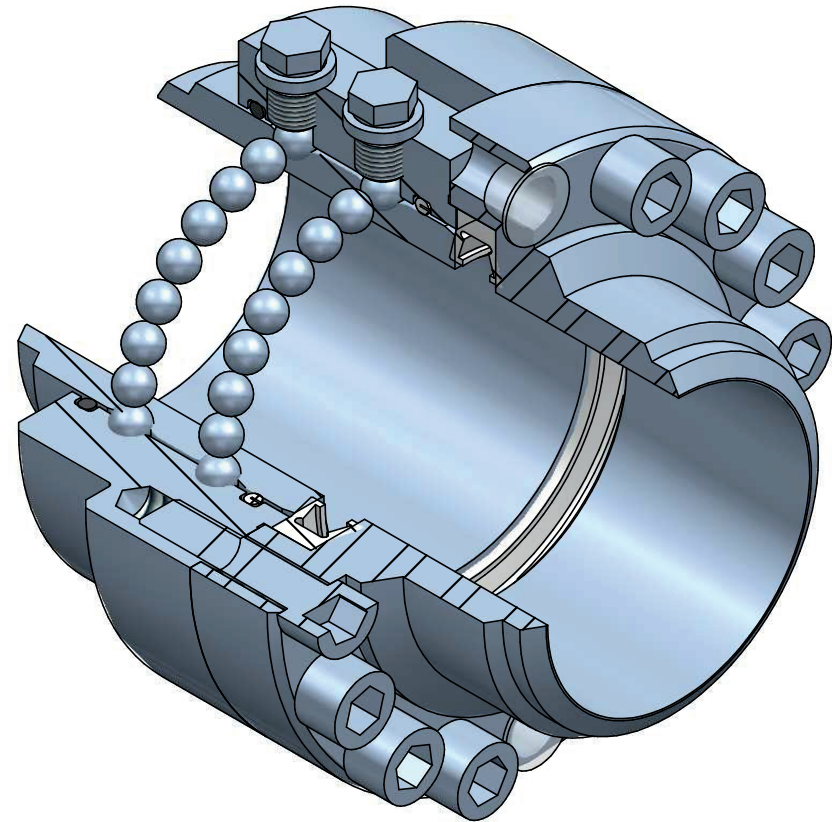
Model 3-2ST: heavy duty model

Swivel joints

This model is suitable for different products such as:

- Inorganic products
- Liquid gas
- LPG
- Mineral oils
- Food

Easy product seal switch due to flange opening. Suitable for pressure up to 40 bar.



Wiese Europe bvba

Smederijstraat 16
2960 Brecht
Belgium

+32 3 633 16 10

info@wiese-europe.com
www.wiese-europe.com

