

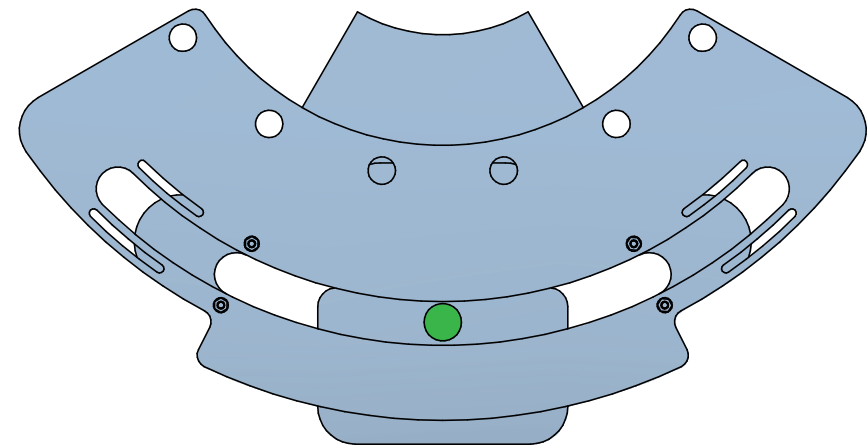
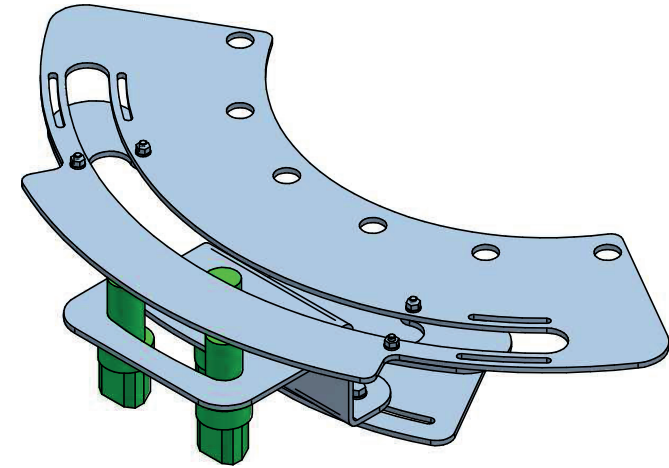


Alarm range monitoring system

Marine loading arms

Features

- Inductive proximity switches that monitor slewing and outboard movements on the loading arm
- Warning area appr. 70% of max. working range (intermittent horn)
- Warning area appr. 90% of max. working range (continuous horn)
- Flashing beacon for visual announcement
- Horn for audio announcement



Wiese Europe bvba

Smederijstraat 16
2960 Brecht
Belgium

+32 3 633 16 10

info@wiese-europe.com
www.wiese-europe.com

