

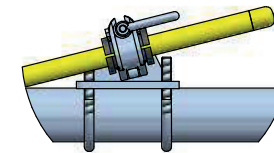
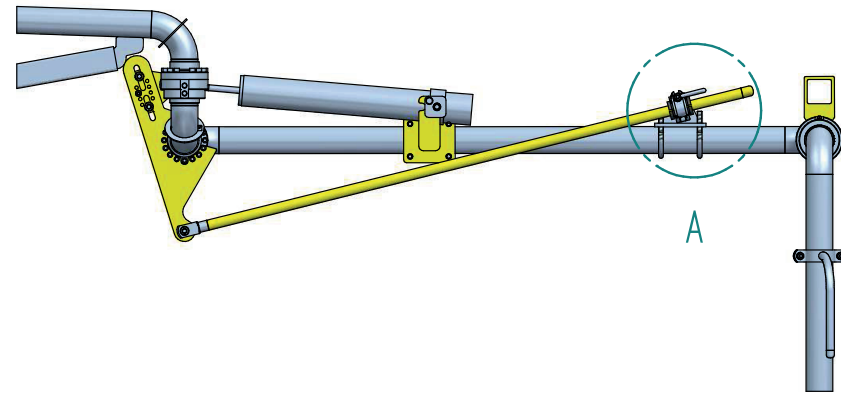


Locking device

Land loading arms

The locking device is used to stop the E-length sloping during the loading process or in stowed position. All land loading arms in the T-model range can be fitted with a locking device.

Connect the locking device by a bolt-on mounting plate at the center swivel joint or at the spring cylinder. The length of the locking device rod depends on the E-length. With the help of a clamp component, the rod can be held in any position.



DETAIL A

Wiese Europe bvba

Smederijstraat 16
2960 Brecht
Belgium

+32 3 633 16 10

info@wiese-europe.com
www.wiese-europe.com

